

RD32C-SS TECHNICAL DATA

Dimensions

Exterior Dimensions	82"W x 321/2"D x 427/8"H
Interior Dimensions	78"W x 263/4"D x 263/4"H
Net Volume	21.4 cu. ft.
Net Weight	507 lb.
Gross Weight	602 lb.
Packing Dimensions	86"W x 361/4"D x 483/4"H

Cooling

Temperature Range	33°F - 40°F
Refrigerant	R290
Max. Ambient Temperature	90°F
Defrosting	Automatic
Temperature Controller	Digital
Horsepower	3/4

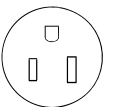
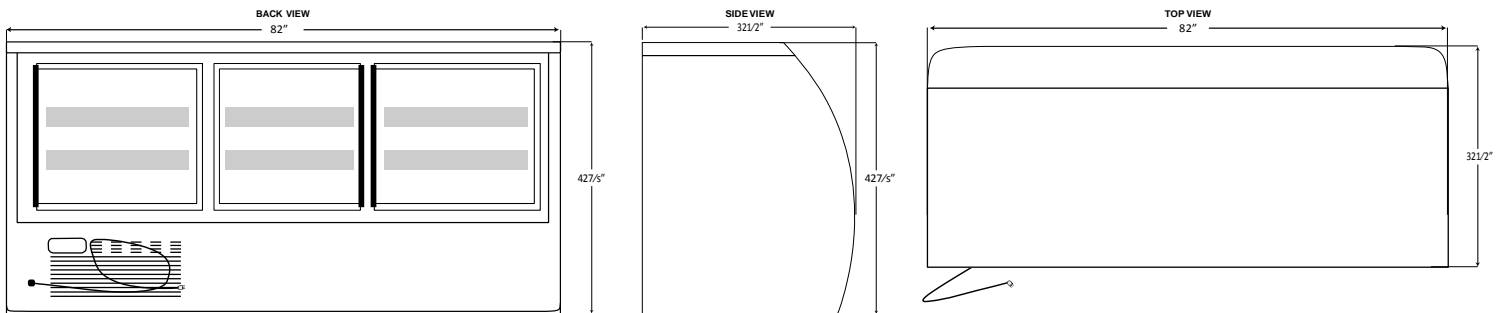
Construction

Exterior Material	White Coated Steel
Interior Material	Painted Aluminum and Type 304 Stainless Steel
Insulation Material	Foamed-in-place Polyurethane
Shelves	(6) of 241/2"W x 221/2"D and (3) of 251/2"W x 243/4"D
Shelf Material	Epoxy-coated Steel
Shelf Load Capacity	90 lb.

Electrical

Voltage	115
Amps	7.1
Hz	60
Phase	1
Plug Type	NEMA 5-15P
Electrical Cord Length	98"

PLAN VIEW



NEMA 5-15P